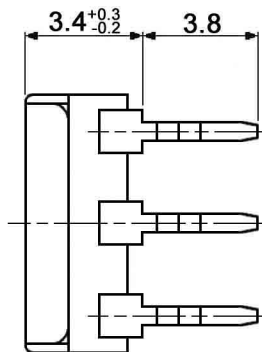


YM = date code



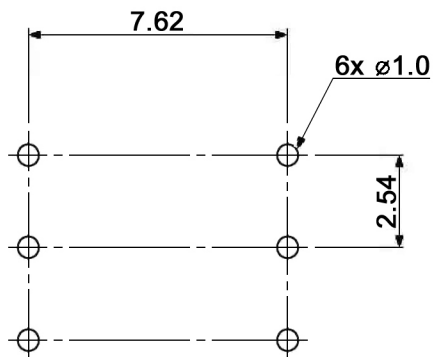
Y Manufacturing year

8	2008
9	2009
0	2010
1	2011
2	2012

M Manufacturing month

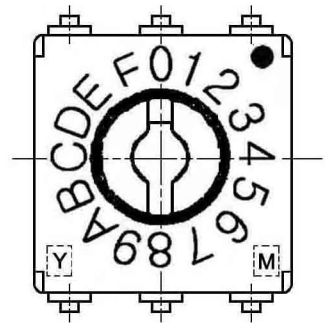
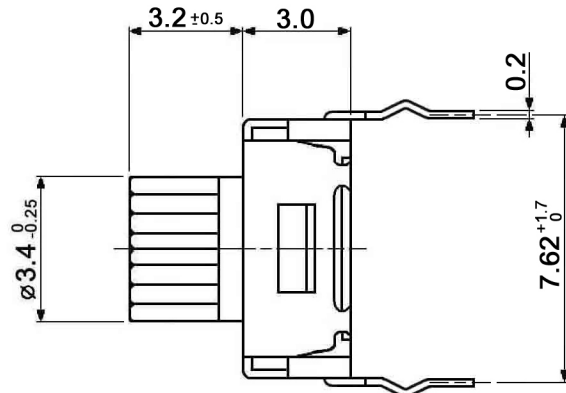
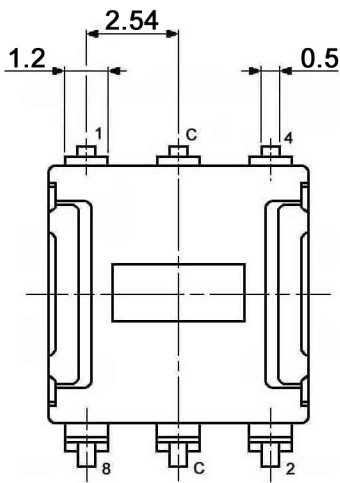
1	January
...	...
9	September
0	October
N	November
D	December

P.C.B. LAYOUT

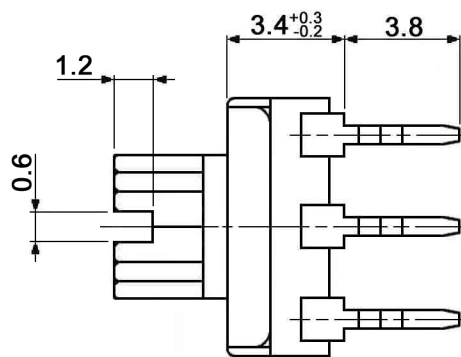


Compliance: RohS II (2011/65/EU)

Tolerances: <3: ±0.2mm 3-6: ±0.3mm 6-30: ±0.5mm	Date	Name	DRS 13000 / DRS 14000
	09/12	dr	
			knitter-switch
			30 26 99
Sealing	01/17	dr	Page
Modifications	Date	Name	1/4



YM = date code



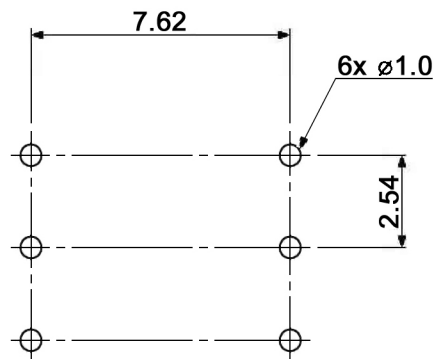
Y Manufacturing year

8	2008
9	2009
0	2010
1	2011
2	2012

M Manufacturing month

1	January
...	...
9	September
0	October
N	November
D	December

P.C.B. LAYOUT



Compliance: RohS II (2011/65/EU)

Tolerances: <3: ±0.2mm 3-6: ±0.3mm 6-30: ±0.5mm	Date	Name	DRS 13000 / DRS 14000	30 26 99	Page
	09/12	dr			2/4
			knitter-switch	30 26 99	
Modifications	Date	Name			

Specifications:

Contact rating: max.: non-switching: 100mA, 50V DC
 switching: 100mA, 5V DC
 min.: 1µA, 20mV AC or DC
Contact resistance: 200mOhm max. at 1.5mA; 0.2mV AC (1kHz)
Insulation resistance: 1 000MOhm min. at 100V DC
Dielectric strength: 250V AC for 1 minute
Operating temperature: -25°C to +75°C
Storage temperature: -40°C to +85°C
Mechanical life: 20 000 cycles min.
Operating force: 24.5mN.m max.
Soldering conditions: wave soldering: max. 260°C, 5sec.
 pre-heat: max. 100°C, 60sec.
Packing unit: 65 pcs. / tube
Sealing: by O-ring, washable by aqueous detergents and isopropyl alcohol
Material: Terminal: phosphor bronze, gold over nickel plated
 Base: liquid crystal polymer, black
 Frame: stainless steel
 Rotor: polyamide resin
 Fixed contact: phosphor bronze, gold over nickel plated
 Movable contact: beryllium copper, gold over nickel plated

Compliance: RohS II (2011/65/EU)

Tolerances: <3: ±0.2mm 3-6: ±0.3mm 6-30: ±0.5mm	Date	Name	DRS 13000 / DRS 14000
	09/12	dr	
			30 26 99
			Page
			3/4
Modifications	Date	Name	

		BCD				
		Real coded				
		C	1	2	4	8
10 P o s i t i o n s	0	●				
	1	●	●			
	2	●		●		
	3	●	●	●		
	4	●			●	
	5	●	●		●	
	6	●		●	●	
	7	●	●	●	●	
	8	●				●
	9	●	●			●

		Hexadecimal				
		Real coded				
		C	1	2	4	8
16 P o s i t i o n s	0	●				
	1	●	●			
	2	●		●		
	3	●	●	●		
	4	●			●	
	5	●	●		●	
	6	●		●	●	
	7	●	●	●	●	
	8	●				●
	9	●	●			●
	A	●		●		●
	B	●	●	●		●
	C	●			●	●
	D	●	●		●	●
	E	●		●	●	●
	F	●	●	●	●	●

		BCD inverse				
		Complement coded				
		C	1	2	4	8
10 P o s i t i o n s	0	●	●	●	●	●
	1	●		●	●	●
	2	●	●		●	●
	3	●			●	●
	4	●	●	●		●
	5	●		●		●
	6	●	●			●
	7	●				●
	8	●	●	●	●	
	9	●		●	●	

		Hexadecimal inverse				
		Complement coded				
		C	1	2	4	8
16 P o s i t i o n s	0	●	●	●	●	●
	1	●		●	●	●
	2	●	●		●	●
	3	●			●	●
	4	●	●	●		●
	5	●		●		●
	6	●	●			●
	7	●				●
	8	●	●	●	●	
	9	●		●	●	
	A	●	●		●	
	B	●			●	
	C	●	●	●		
	D	●		●		
	E	●	●			
	F	●				

Ordering code	Actuation	Code
DRS 13010	screw driver	10 pos. real, ivory
DRS 14010	shaft	10 pos. real, ivory
DRS 13016	screw driver	16 pos. real, ivory
DRS 14016	shaft	16 pos. real, ivory
DRS 13110	screw driver	10 pos. inverse, red
DRS 14110	shaft	10 pos. inverse, red
DRS 13116	screw driver	16 pos. inverse, red
DRS 14116	shaft	16 pos. inverse, red

Compliance: RohS II (2011/65/EU)

Tolerances: <3: ±0.2mm 3-6: ±0.3mm 6-30: ±0.5mm	Date	Name	DRS 13000 / DRS 14000
	09/12	dr	
			30 26 99
			Page
			4/4
Modifications	Date	Name	

knitter-switch